



DESIGNED EQUIPMENT

www.srsengineering.com

Aerosol Shredding Equipment

800-497-5841

sales@srsintl.com

SRS' Model ASU-500 / 800

SRS' Aerosol Can Shredding Equipment is designed to shred stainless steel and aluminum cans.

The ASU-500 / 800 models are also capable of shredding other types of containers that you need to recycle, making this unit a versatile and valuable shredding tool for any recycling facility.



The ASU-500 / 800 is suitable for shredding large, dense, cans, pails and drums.

This unit, combined with the bailing option, reduces the overall size, thus reducing storage space and makes for a complete recycling system that will have your scrap metal bundled and ready for easy transport.

1 Low Speed

2 Low Noise

3 Large Torque

4 High Efficiency

STANDARD MODEL FEATURES:

The standard ASU-500 / 800 Model is a dual shaft shredder which features a hopper at the top of the unit for loading large numbers of cans at a time.

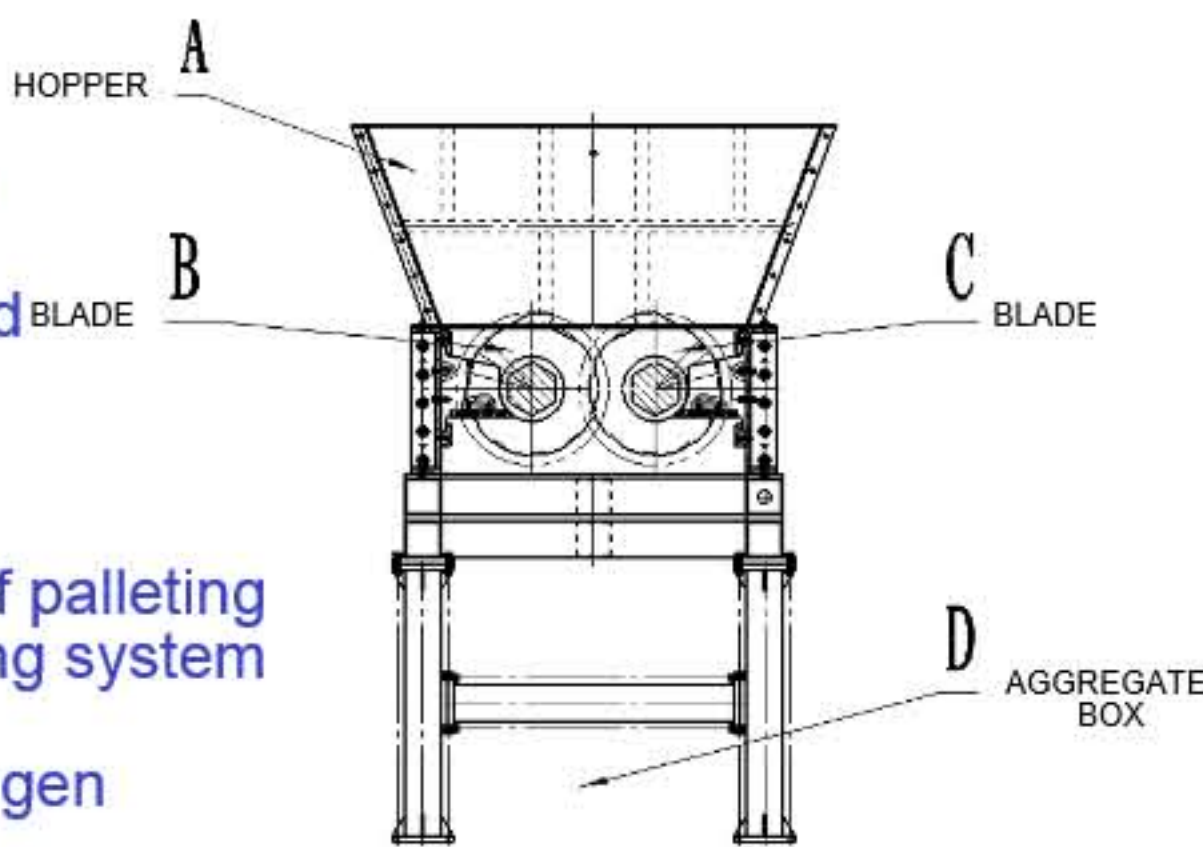
The machine will reduce the cans to small shredded pieces that will drop into your bin at the side of the unit.

A PLC controlled containment holding section collects the remaining liquids from the cans which can be pumped to your facilities holding tanks

ADDITIONAL OPTIONS:

The ASU-50 / 800 Model has many Additional Premium Options that can be purchased to enhance operations.

- Feed & Exit Conveyors
- Bailer for cubing and ease of palleting
- Liquid holding tank monitoring system
- LEL monitoring sensors
- N2 Generator to supply nitrogen



Additional custom options can be provided in any configuration that your facility may require.

Contact us Today!

800-497-5841

sales@srsintl.com

www.srsengineering.com

