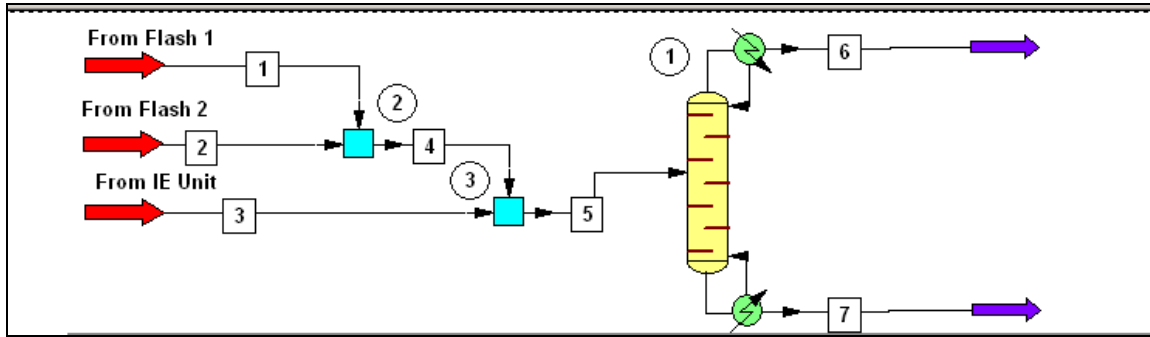


Project Name	Rev	Date
Distillation Column	A	-



Stream No.	1	2	3	4
Stream Name	From Flash 1	From Flash 2	From IE Unit	
Temp F	199.6500*	233.1700*	104.0000*	208.6509
Pres psia	14.7000	14.7000	58.0000*	14.7000
Enth MMBtu/h	-6.5348	-2.2560	-0.90331	-8.7909
Vapor mole fraction	1.0000	1.0000	0.00000	1.0000
Total lbmol/h	74.8670	26.3952	8.7345	101.2622
Total lb/h	2292.8101	838.5004	361.1400	3131.3105
Total std L gph	339.1021	125.2214	52.1145	464.3236
Total std V scfh	28410.42	10016.43	3314.55	38426.85
Component mass %				
Veg Oil	0.000000	0.000000	21.871620	0.000000
Methanol	94.058102	98.888600	75.818980	95.351607
Water	5.941900	1.111400	0.057500	4.648392
Glycerol	0.000000	0.000000	2.251902	0.000000

Stream No.	5	6	7
Stream Name		Top	Bottom
Temp F	153.7974	148.1136	211.7029
Pres psia	14.7000	14.7000	14.7000
Enth MMBtu/h	-9.6942	-10.316	-0.98476
Vapor mole fraction	0.95298	0.00000	0.00000
Total lbmol/h	109.9967	101.8294	8.1673
Total lb/h	3492.4507	3260.8882	231.5624
Total std L gph	516.4381	487.9878	28.4503
Total std V scfh	41741.40	38642.09	3099.31
Component mass %			
Veg Oil	2.261655	0.000001	34.110525
Methanol	93.331820	99.924004	0.500001
Water	4.173666	0.076002	61.877453
Glycerol	0.232860	0.000000	3.512022

Profile Summary:

Column	Column Diameter	Ft	2.5
	Type of Packing	Structured Packing	250
	Packing Height	Top Section, Ft	12.6
		Bottom Section, Ft	16
	Condenser Heat Duty	MMBTU / Hr	-3.861
	Reboiler Heat Duty	MMBTU / Hr	2.255
	Reflux Ratio	-	1.5